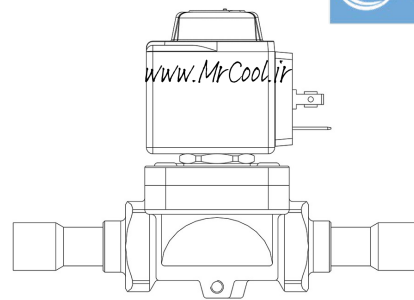


Product Code

1079/7A6

Solenoid Valve
7/8"-22mm ODS 220-230V



CLASSIC

Impiego

Accessories for use with the following ASHRAE 34:2019 refrigerants, Class A1:

- HCFC (R22)
- HFC (R134a, R404A, R407C, R410A, or R507)
- HFO and HFO/HFC blends (R1234ze, R448A, R449A, R450A, R452A, R513A)

Maximum allowable pressure PS = 45 bar.

Allowable temperatures TS = -35 / +105 °C (+110 °C for direct opening).

These valves are sold in both the version without the coil (S suffix) and the version with the coil (A6 suffix for coils at 220 VAC and A7 suffix for coils at 240 VAC).

Dettagli prodotto

Operating principle Diaphragm pilot operated

Coil Type (1) HF2

Connections ODS Ø [in.] 7/8"

Connections ODS Ø [mm] 22

Kv [m³/h] 2,61

PS [bar] 45

TS [°C] Min -35

TS [°C] Max +105

Package Pcs. 17

Note dove espressamente riportate

(1) : coils mounted on the valves