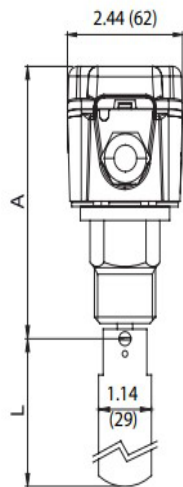


FLOW SWITCH IT SF1K

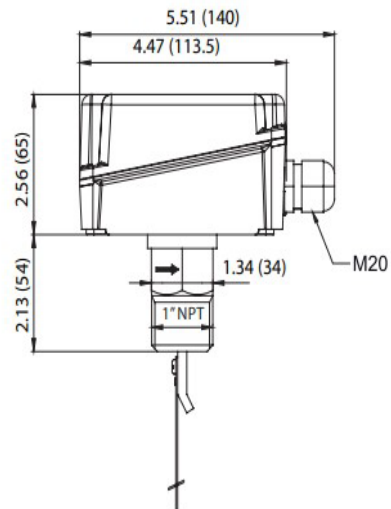
PRODUCT SPECIFICATIONS

Contact Form:	Form 1C (SPDT Contact)
Contact Rating:	15 (8) A, 24 to 250 VAC
Pipe Size:	1 to 8" (25.4 to 203.2 mm) Diameter
Maximum Pressure:	159.5 PSI (11 bar)
Flow Rate:	See Flow Rate Table Below
Connection:	NPT 1"
Body Material:	Brass
Paddle Material:	Stainless steel AISI 316L
Housing Material:	Base in ABS, transparent PC cover
Housing Operating Temperature Humidity:	-40 to 85°C (-40 to 185°F) 10 to 90% RH, non-condensing
Maximum Liquid Temperature:	-40 to 120°C (-40 to 248°F)
Recommended Storage Temperature Humidity:	-40 to 85°C (-40 to 185°F) < 95% RH, Non-Condensing
Enclosure Ratings:	IP65, Class 1
Product Dimensions (L x W x H):	5.51" (140 mm) x 2.44" (62 mm) x 2.56" (65 mm)
Approvals:	CE
Product Weight:	2.1 lbs. (0.95 kg)

DIMENSIONAL DRAWING



Top View



Right View