



## P735

### Single Pressure

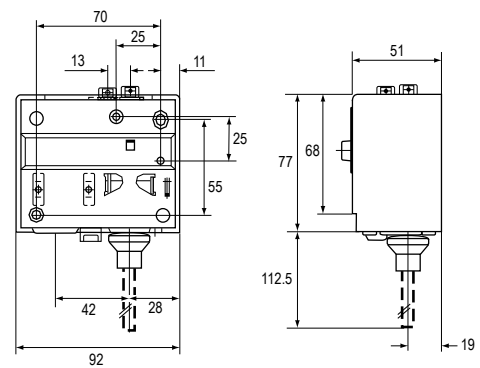
The P735 series pressure controls may be used for control functions or limit functions, depending on model number. All models are provided with alarm contacts. All standard models have phosphor bronze bellows and brass pressure connections. Models for use with ammonia are provided with stainless steel bellows and connectors.

#### Features

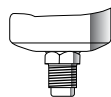
- Generous wiring space
- SPDT contacts are provided as standard on single pressure controls
- Trip-free manual reset

#### Application

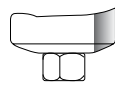
These pressure controls are designed for use in a variety of applications involving refrigeration high or low pressure. Models supplied have a "whole range" design, enabling them to be used with all non-corrosive refrigerants which are within the operating range of the control. They may also be used for other high or low pressure applications such as air, water etc. Models which can be used with ammonia are included in the program.



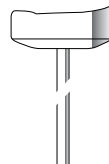
Dimensions in mm



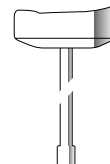
Style 5



Style 15



Style 28



Style 30

## REFRIGERATION COMPONENTS

### Pressure Controls

248

P735

Single Pressure

#### P735 Pressure Controls for Water

Family Code	Range (bar)	Differential (bar)	Switch Action (wire diag.)	Max. Bellows Pressure	Special Pressure Connection G1/4" female
					Ind. Pack.
P735AAA	-0,2 to 10 <i>www.MPCool.ir</i>	1 to 4,5	1	15	-9200
	-0,5 to 7	0,5 to 3	1	22	-9201

#### P735 Pressure Controls for Non-Corrosive Refrigerants

Family Code	Range (bar)	Differential (bar)	Switch Action (wire diag.)	Max. Bellows Pressure	Style 5		Style 30
					Ind. Pack.	Bulkpack	Ind. Pack.
P735AAA	-0.5 to 7	0.5 to 3	1	22	-9300	-9320	-9400
	-0.2 to 10 <i>www.MPCool.ir</i>	1 to 4.5 <i>www.MPCool.ir</i>	1	15	-9301	---	---
	3 to 30	3 to 12	2	33	-9350	-9370	
	3.5 to 21	2.1 to 5.5	2	30	-9351	---	
P735BCA	-0.5 to 7	Man. res.**	1	22	-9300	---	
P735BEA	3 to 30	Man. res.*	3	33	-9350	-9370	

#### P735 Pressure Controls for Non-Corrosive Refrigerants (Wachter, Begrenzer, Sicherheitsdruckbegrenzer)

Family Code	Range (bar)	Differential (bar)	Switch Action (wire diag.)	Max. Bellows Pressure	Style 5		Style 28	PED Approval
					Ind. Pack.	Bulkpack	Ind. Pack.	
P735AAW	-0.5 to 7	0.6 to 3 <i>www.MPCool.ir</i>	1	20	-9300	-9320	-9800	---
	3 to 30	3,5 to 12	2	33	-9350	-9370	-9850	•
P735BCB	-0,5 to 7	Man. res.**	1	20	-9300	---	---	---
P735BEB	3 to 30	Man. res.*	3	33	-9350	-9370	-9850	•

#### Notes

\* : Resettable at 3 bar below cut-out point

\*\* : Resettable at 0.5 bar above cut-out point

100 kPa = 1 bar ≈ 14.5 psi