

SINGLE FUNCTION PRESSURE CONTROLS

Type SNS & HNS

SAGInoMIYA



GENERAL DESCRIPTION

- For use with fluorinated refrigerants as well as with air and water. (Allowable fluid temp.: -20 to 120°C)
- Type SNS for universal application.
- Type HNS for high pressure safety cut out.
- Available drip proof enclosure for marine application or explosion proof enclosure for special application.
- Mounting bracket is supplied as standard.
- With SPDT contact mechanism.
- IP44 with upper lid (option).
- Ammonia Models: Available upon request.

CE mark applicable (available upon request)

UL recognized (available upon request)



Type SNS



Type HNS

TYPE NUMBER SELECTION (SPECIFICATIONS)

Type SNS—Automatic Reset Type

Unit: MPa {kgf/cm²}

| Catalog No. | Range | | Differential | | Factory Setting | | Max. Working Pressure | Contact Function | Wt. (kg) |
|-------------|------------------|------------|--------------|---------------------------------|-----------------|------------|-----------------------|------------------|----------|
| | Min. | Max. | Min. | Max. | Off (On) | On (Off) | | | |
| SNS-C101X | -0.06 50cmHg) | {- 0.1 {1} | 0.015 {0.15} | 0.05 {0.5} | 0.025 {0.25} | 0.05 {0.5} | 0.3 {3} | Diagram 1 | 0.33 |
| SNS-C102X | -0.02 20cmHg) | {- 0.2 {2} | 0.025 {0.25} | 0.15 {1.5} | | | 0.5 {5} | | |
| SNS-C103X | -0.06 50cmHg) | {- 0.3 {3} | 0.035 {0.35} | 0.2 {2} <i>www.MrCool.ir</i> | 0.05 {0.5} | 0.15 {1.5} | 1 {10} | | |
| SNS-C104X | -0.06 50cmHg) | {- 0.4 {4} | 0.04 {0.4} | | 0.1 {1} | 0.2 {2} | 1.5 {15} | | |
| SNS-C106X | -0.06 50cmHg) | {- 0.6 {6} | 0.06 {0.6} | 0.4 {4} | 0.2 {2} | 0.3 {3} | | | |
| SNS-C110X | 0.1 {1} | 1 {10} | 0.1 {1} | 0.3 {3} | 0.4 {4} | 0.6 {6} | | | |
| SNS-C120X | 0.5 {5} | 2 {20} | 0.2 {2} | 0.5 {5} | 1.2 {12} | 1.5 {15} | 3 {30} | | |
| SNS-C130X | | 3 {30} | 0.3 {3} | 1 {10} | 2 {20} | 2.5 {25} | 3.3 {33} | | |
| SNS-C135X | 1 {10} | 3.5 {35} | 0.5 {5} | 1.5 {15} | 2.5 {25} | 3 {30} | 3.8 {38} | | |

Type SNS—Manual Reset Type

Unit: MPa {kgf/cm²}

| Catalog No. | Range | | Manual Reset | * Factory Setting | | Max. Working Pressure | Contact Function | Wt. (kg) |
|-------------|-----------------|---------|---|-------------------|--------------|-----------------------|------------------|----------|
| | Min. | Max. | | Off | On | | | |
| SNS-C102XM2 | -0.02 {-20cmHg} | 0.2 {2} | Automatic operation on pressure decrease, and manual reset. | 0.025 {0.25} | manual reset | 0.5 {5} | Diagram 2 | 0.33 |
| SNS-C106XM2 | -0.06 {-50cmHg} | 0.6 {6} | | 0.2 {2} | | 1.5 {15} | | |
| SNS-C130XM2 | 0.5 {5} | 3 {30} | | 2 {20} | | 3.3 {33} | | |

* Based on the 1-3 terminal connection.

Type HNS—Automatic Reset Type

Unit: MPa {kgf/cm²}

| Catalog No. | Range | | Differential | * Factory Setting | | Max. Working Pressure | Contact Function | Wt. (kg) |
|------------------|------------|-----------|------------------------------------|-------------------|-------------|-----------------------|------------------|----------|
| | Min. | Max. | | Off | On | | | |
| HNS-C130X | 0.8 {8} | 3 {30} | 0.3 to 0.5 fixed {3 to 5 fixed} | 2 {20} | 1.6 {16} | 3.3 {33} | Diagram 3 | 0.24 |

* Based on the 1-3 terminal connection.

Type HNS-Manual Reset Type

Unit: MPa (kgf/cm²)

| Catalog No. | Range | | Manual Reset | * Factory Setting | | Max. Working Pressure | Contact Function | Wt. (kg) |
|--------------------|------------|-----------|---|-------------------|--------------|-----------------------|------------------|----------|
| | Min. | Max. | | Off | On | | | |
| HNS-C130XM1 | 0.8 {8} | 3 {30} | Automatic operation on pressure increase, and manual reset. | 2 {20} | manual reset | 3.3 {33} | Diagram 4 | 0.24 |

* Based on the 1-3 terminal connection.

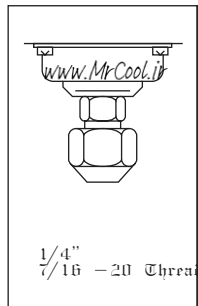
- Enclosure: IP20
- Drip Proof Models: Available upon request. (Refer to Pages 48, 49.)

13

ELECTRICAL RATINGS

| Rated Voltage (V) | | Power Factor (cosφ) | 125/250V. AC |
|-----------------------|--------------|---------------------|--------------|
| Rated Amps. (A) | | | |
| Non-Inductive Current | | 1 | 12 |
| Inductive Current | Full Load | 0.75 | |
| | Locked Rotor | 0.45 | 72 |

PRESSURE CONNECTIONS

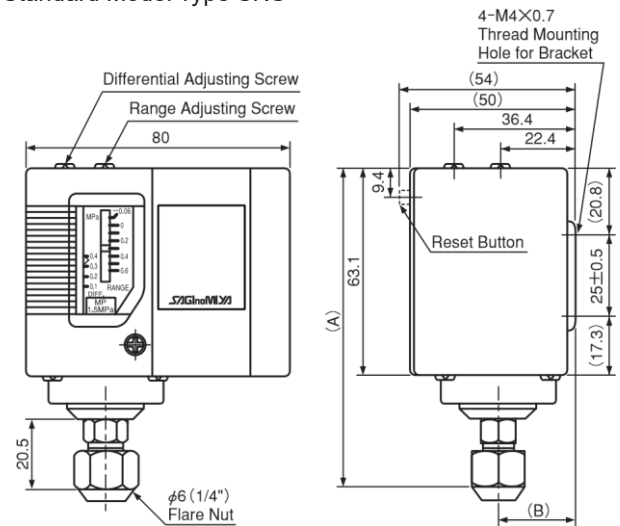


Standard

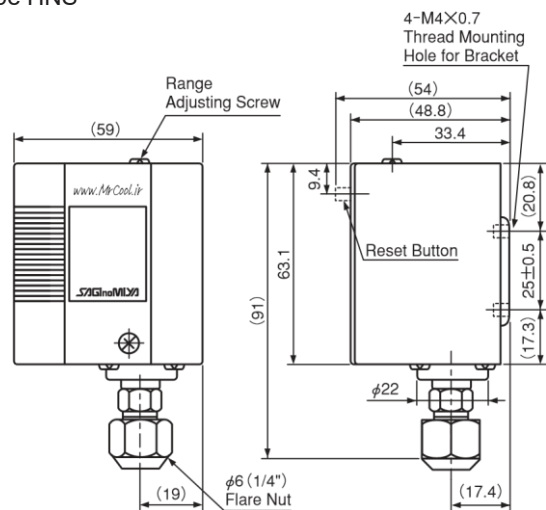
Refer to Pages 45, 46

DIMENSIONS

Standard Model Type SNS



Type HNS



Unit: mm

CONTACT FUNCTIONS

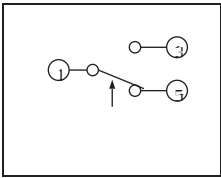


Diagram 1

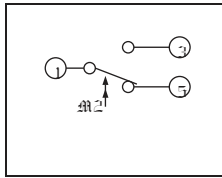


Diagram 2

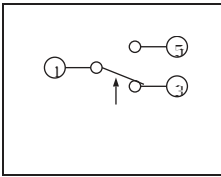


Diagram 3

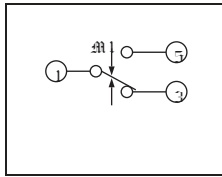


Diagram 4

| | Diagram 1 & 2 | Diagram 3 & 4 |
|---|----------------------------|---------------------------|
| 1 | Common Terminal | Common Terminal |
| 3 | Close on Pressure Increase | Open on Pressure Increase |
| 5 | Close on Pressure Decrease | Open on Pressure Decrease |

↑: Operating direction on press. increase at High Press. Side
M1↓, M2↑: Operating direction on manual reset

| Catalog No. | Unit: mm | |
|-----------------------------------|----------|------|
| | A | B |
| SNS-C101X | 113.3 | 22.4 |
| SNS-C102X | 99.7 | |
| SNS-C103X | | |
| SNS-C104X | | |
| SNS-C106X <i>www.MP.Cob.ir</i> | 96.8 | 18.4 |
| SNS-C110X | | |
| SNS-C120X | 95.9 | 22.4 |
| SNS-C130X | 93.5 | |
| SNS-C135X | | |
| SNS-C102XM2 | 99.7 | 18.4 |
| SNS-C106XM2 | 96.8 | |
| SNS-C130XM2 | 93.5 | 22.4 |